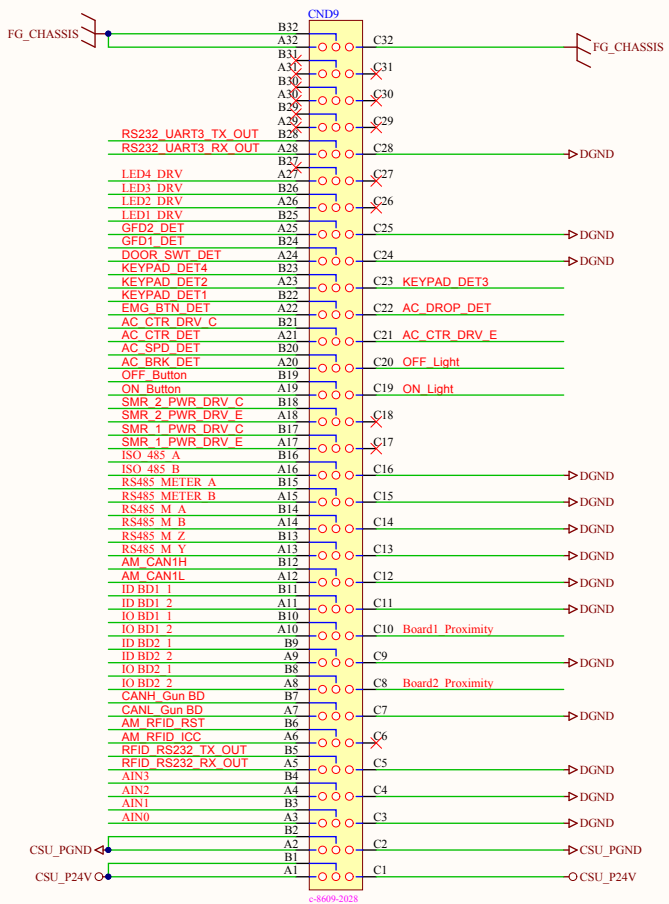


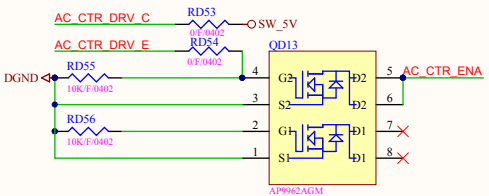
PHIHONG TECHNOLOGY CO.,LTD		
Title		
Size A3	Document Number	Rev
Date	Sheet	of

Interface for CSU Board

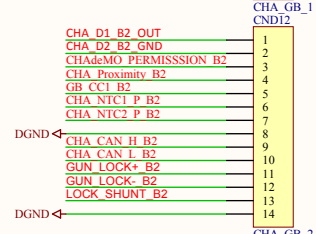
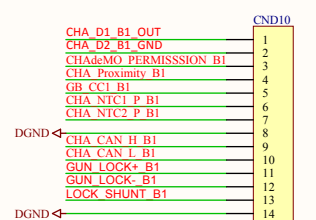
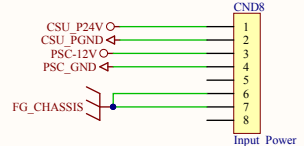
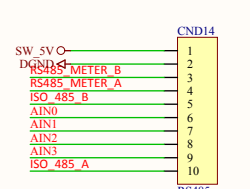
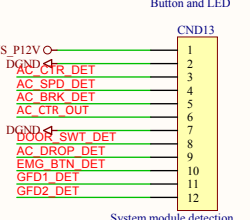
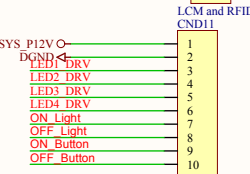
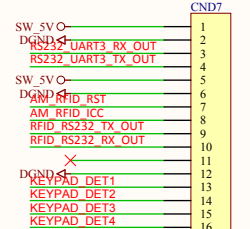
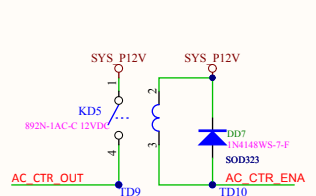


©8869-2028

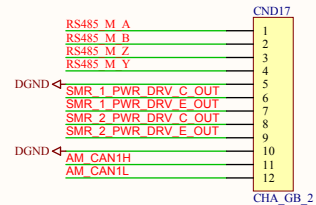
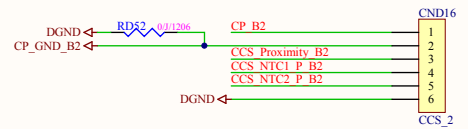
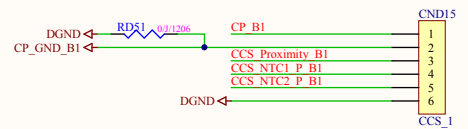
AC Contactor Driver



AC Drive Relay



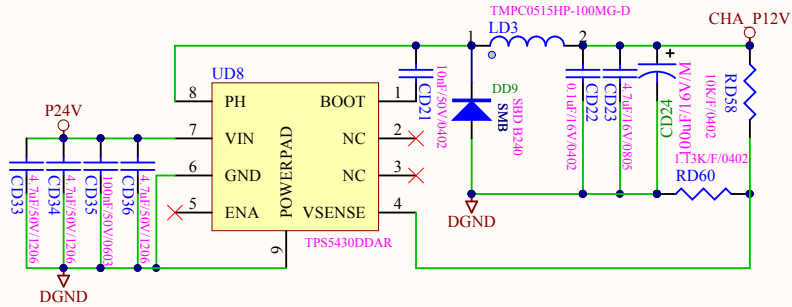
Note: D1 and D2 are function as GB A1 and A2



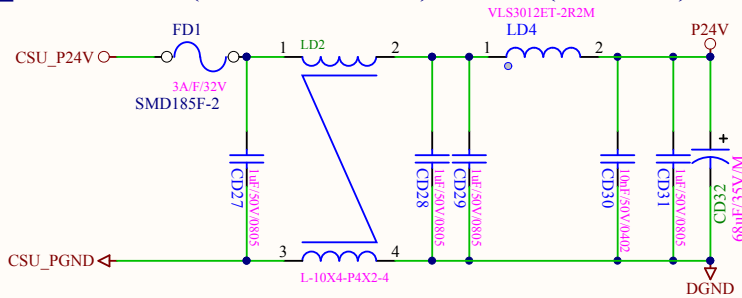
PHIHONG TECHNOLOGY CO.,LTD

Title		
Size A3	Document Number	Rev
Date	Sheet	of

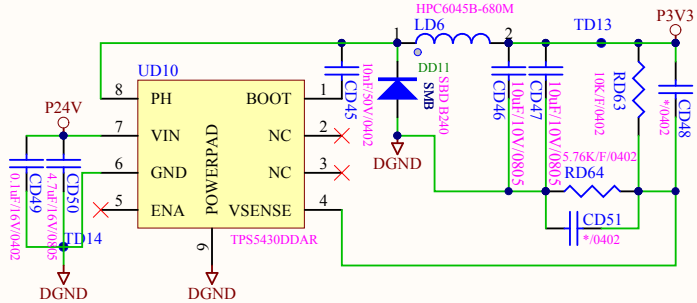
CHA_P12V for CHAdeMO D1 and D2



$$CHA_P12V = V_{ref} \times (1 + RH353/RH354) = 1.221 \times (1 + 10/1.13) = 12.03$$

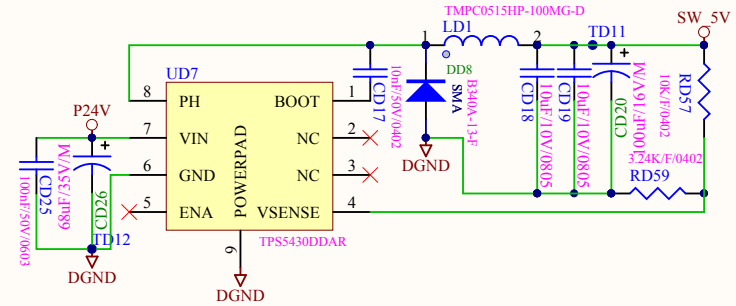


$$P12V = V_{ref} \times (1 + RH353/RH354) = 1.221 \times (1 + 10/1.13) = 12.03$$



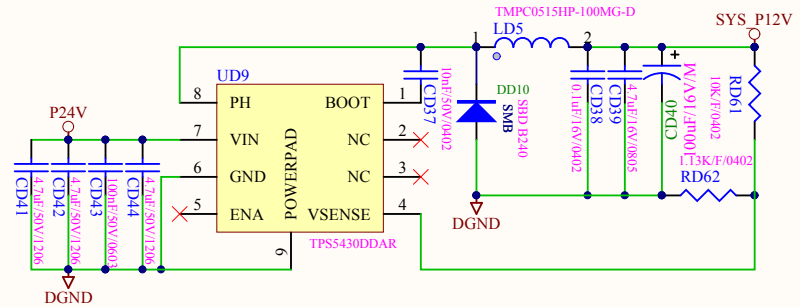
$$P3V3 = V_{ref} \times (1 + RH46/RH49) = 1.221 \times (1 + 10/5.76) = 3.34$$

CHA_P12V to SW_5V SMR Enable control



$$P5V = V_{ref} \times (1 + RH30/RH32) = 1.221 \times (1 + 10/3.24) = 4.99$$

SYS_P12V for System Module



$$CHA_P12V = V_{ref} \times (1 + RH353/RH354) = 1.221 \times (1 + 10/1.13) = 12.03$$

PHIHONG TECHNOLOGY CO.,LTD

Title

Size
A4

Document Number

Rev

Date

Sheet of