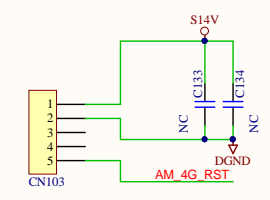
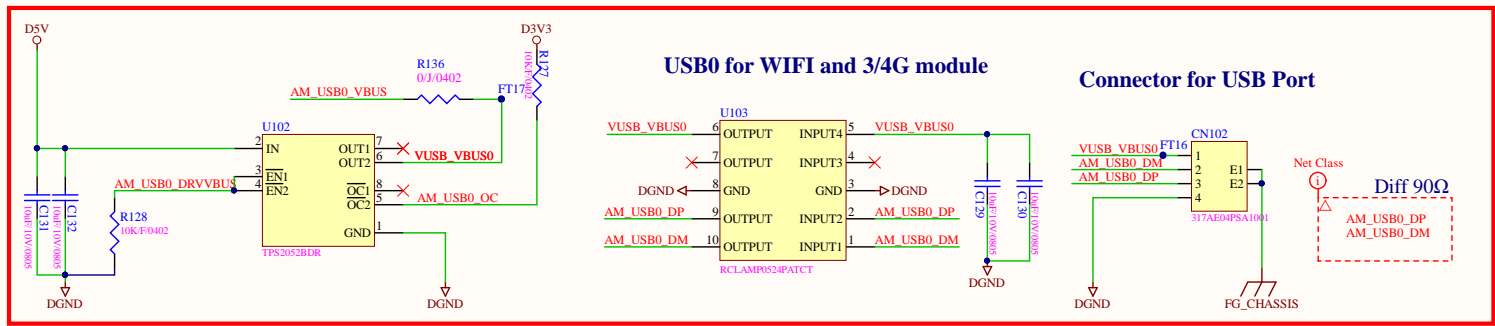
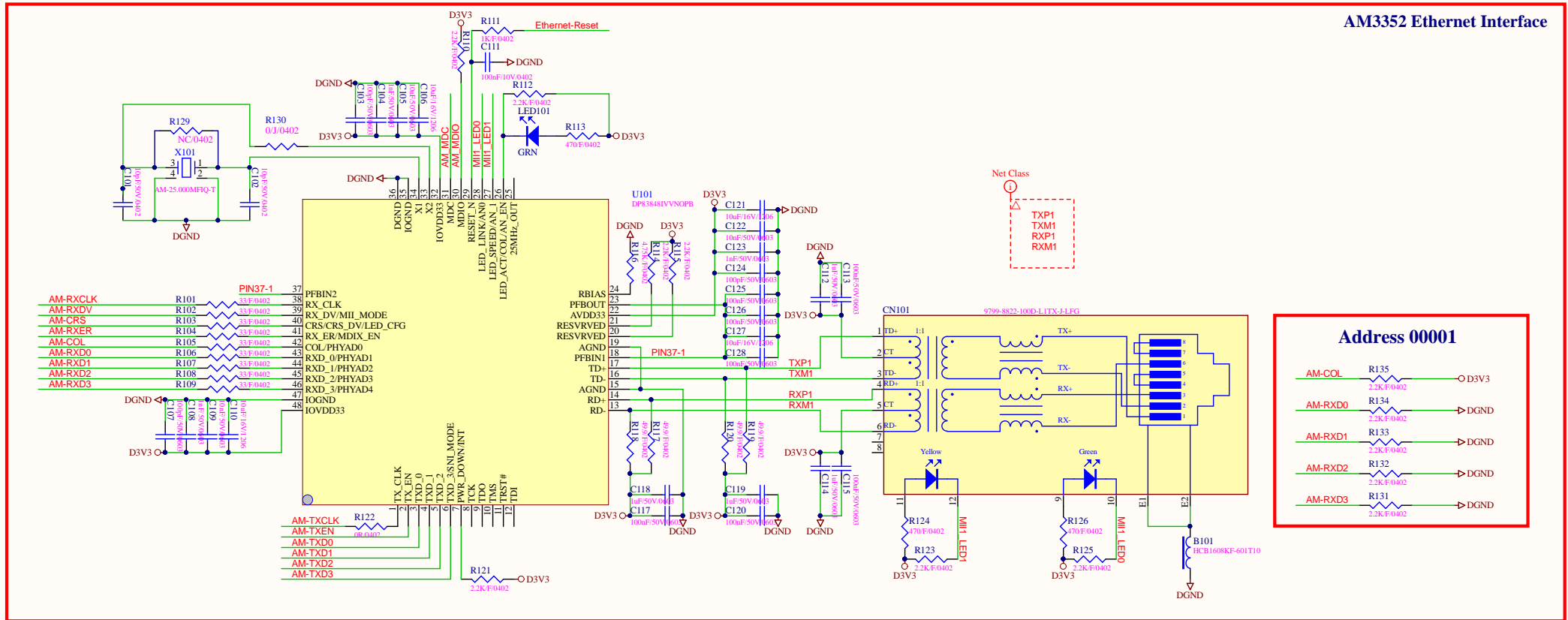
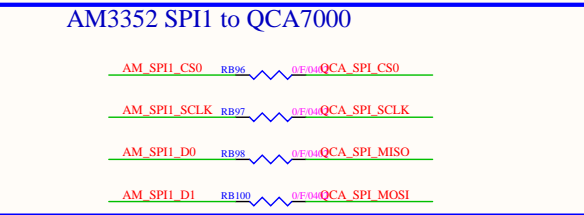
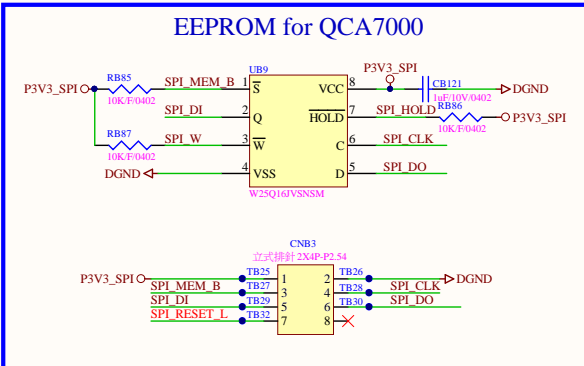
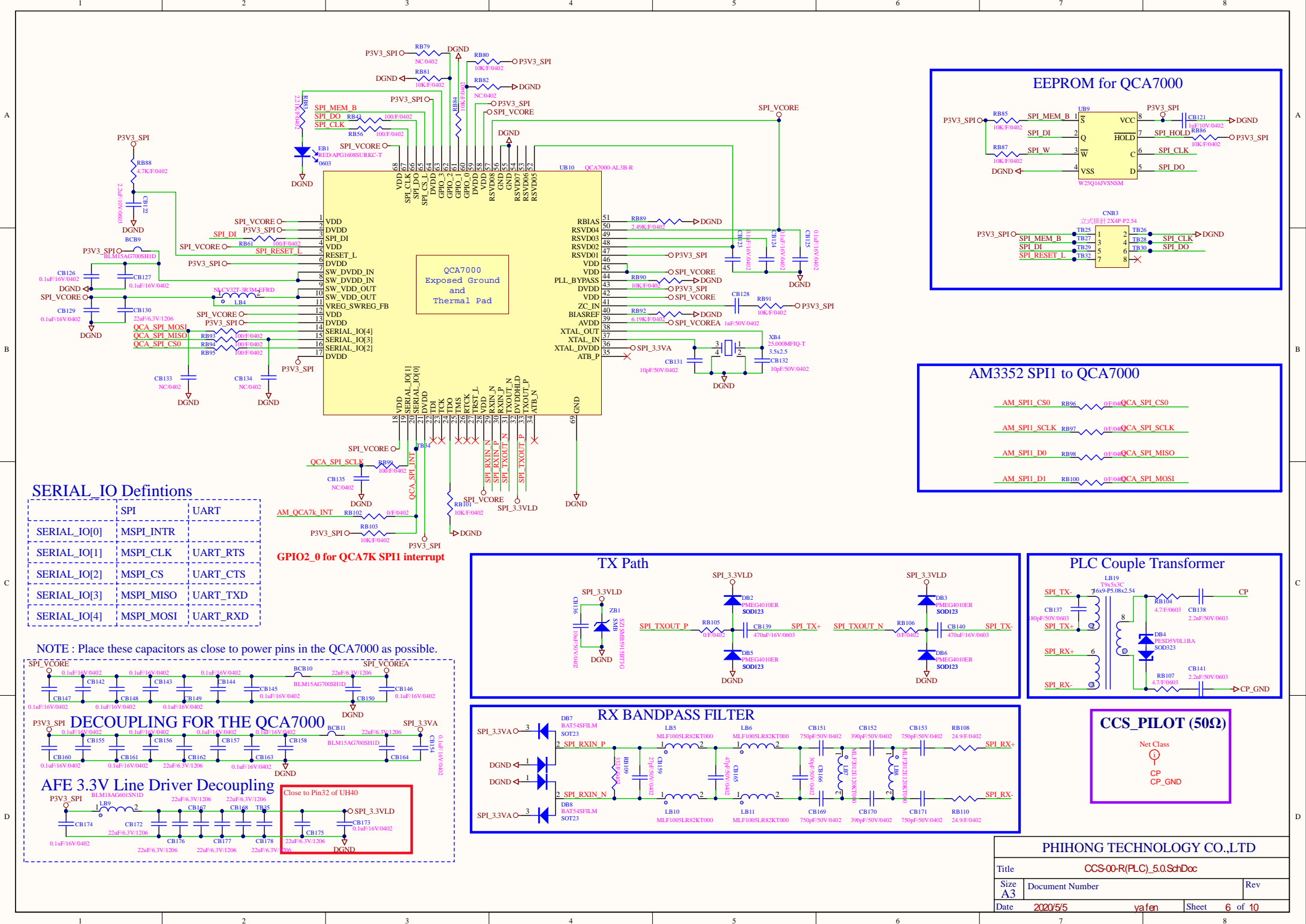


AM3352 Ethernet Interface

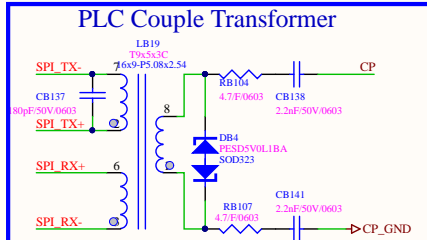
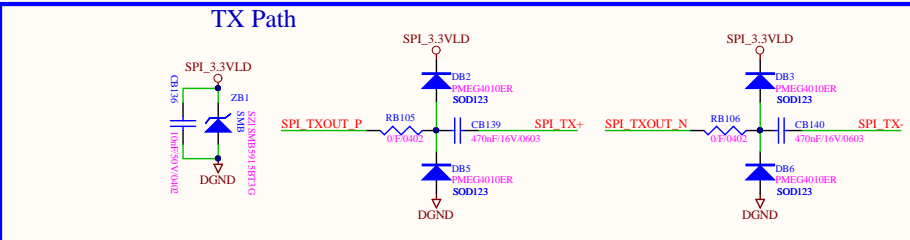




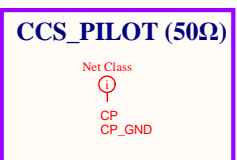
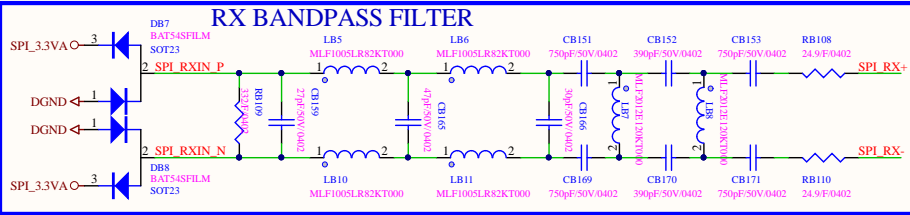
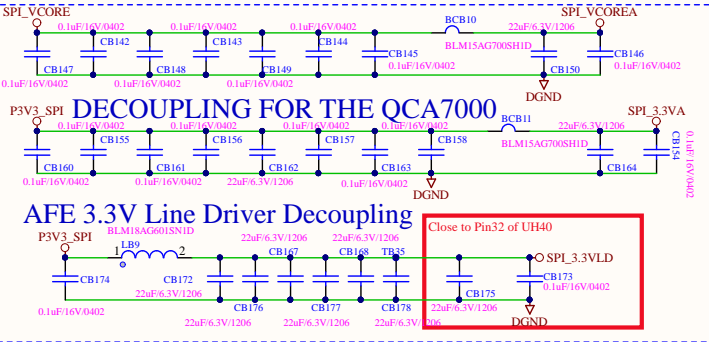
SERIAL_IO Defintions

	SPI	UART
SERIAL_IO[0]	MSPI_INTR	
SERIAL_IO[1]	MSPI_CLK	UART_RTS
SERIAL_IO[2]	MSPI_CS	UART_CTS
SERIAL_IO[3]	MSPI_MISO	UART_TXD
SERIAL_IO[4]	MSPI_MOSI	UART_RXD

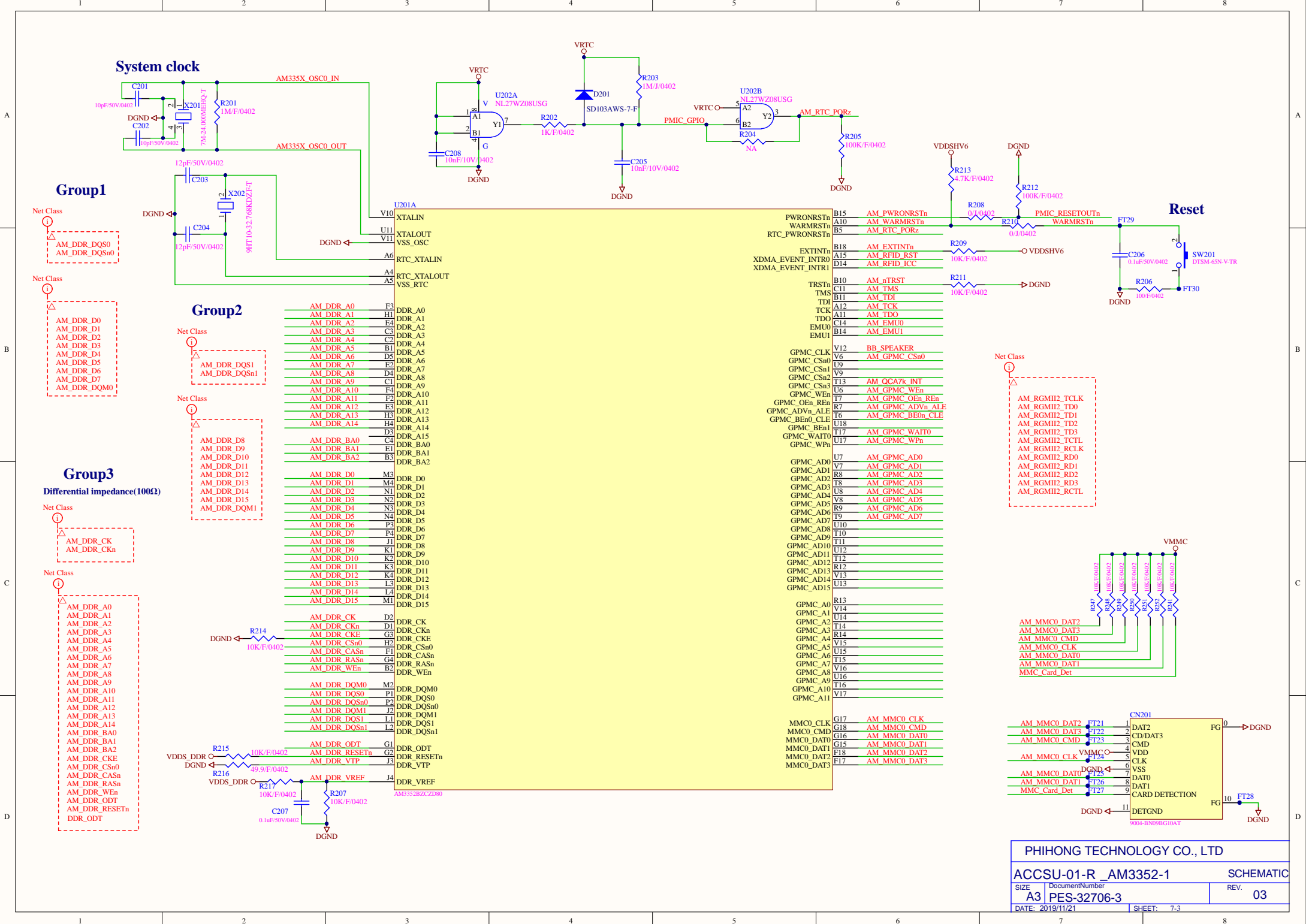
GPIO2_0 for QA7K SPI interrupt

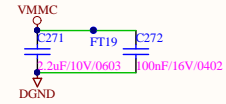
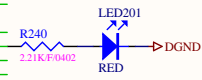
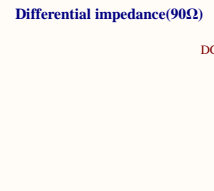
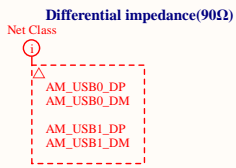
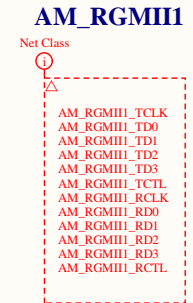
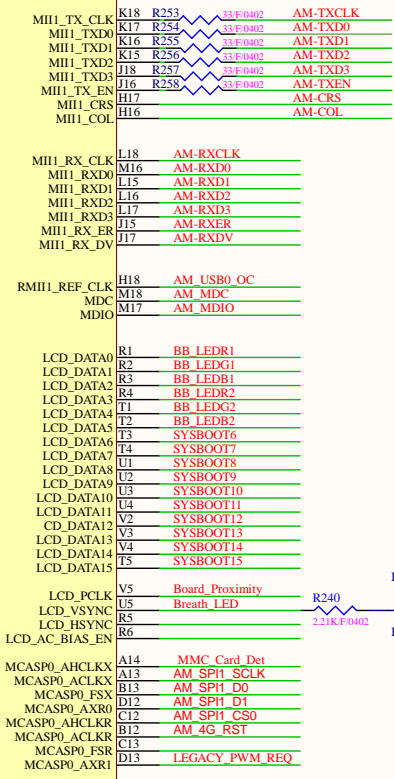
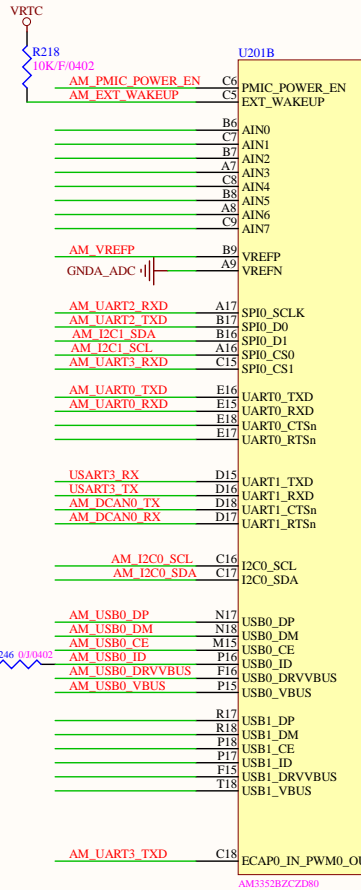


NOTE : Place these capacitors as close to power pins in the QCA7000 as possible.



PHIHONG TECHNOLOGY CO.,LTD		
Title	CCS-00-R(PLC)_5.0 SchDoc	
Size	Document Number	Rev
A3		
Date	2020/5/5	Sheet 6 of 10

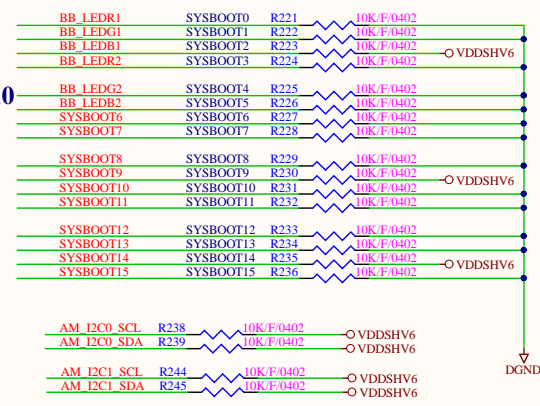
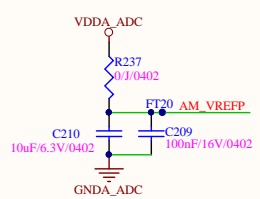




Boot Sequence UART MMC0 NAND

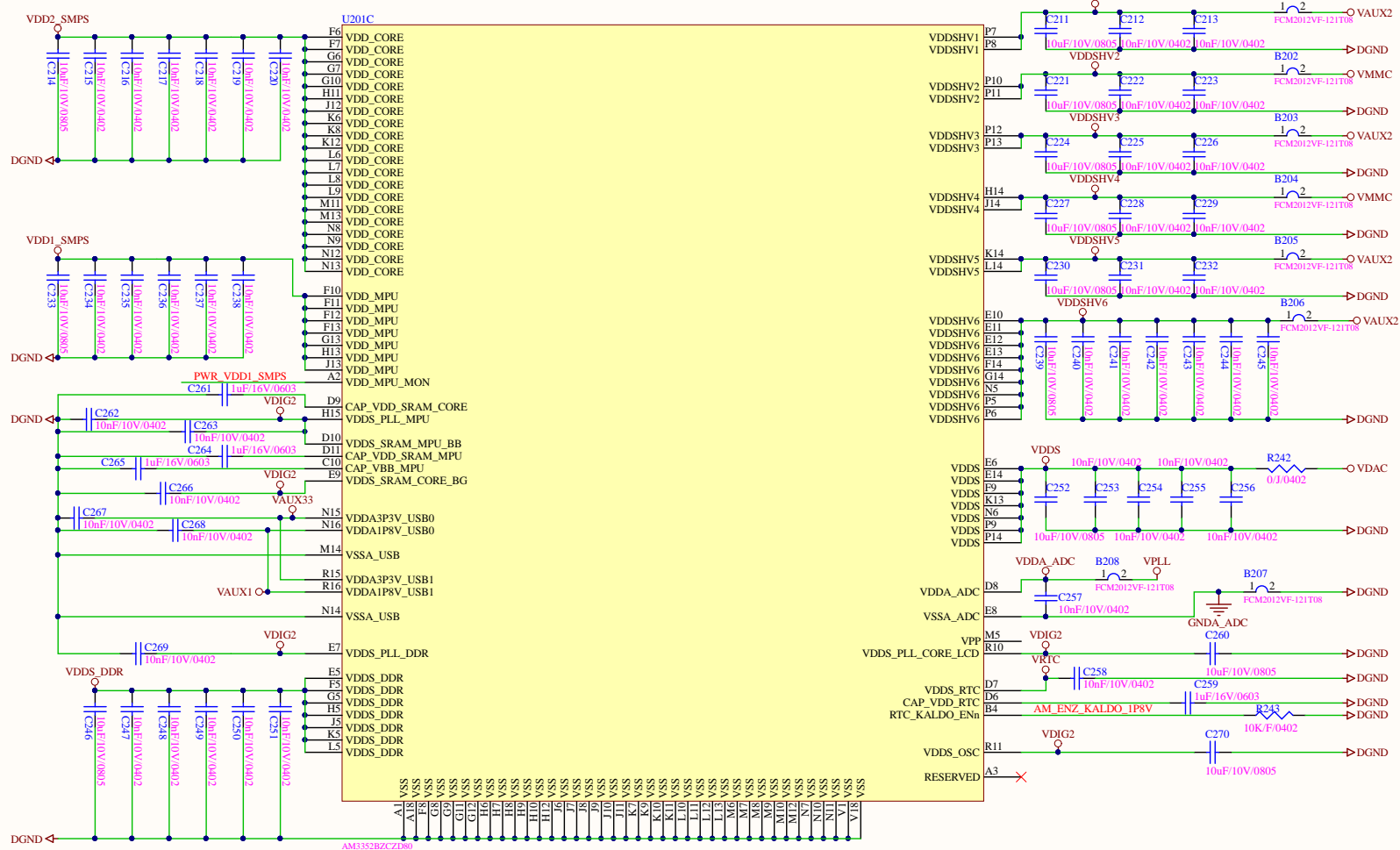
SYSBOOT[0:15] = 0010 0000 0000 0010

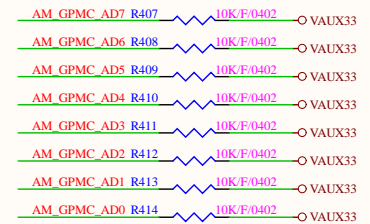
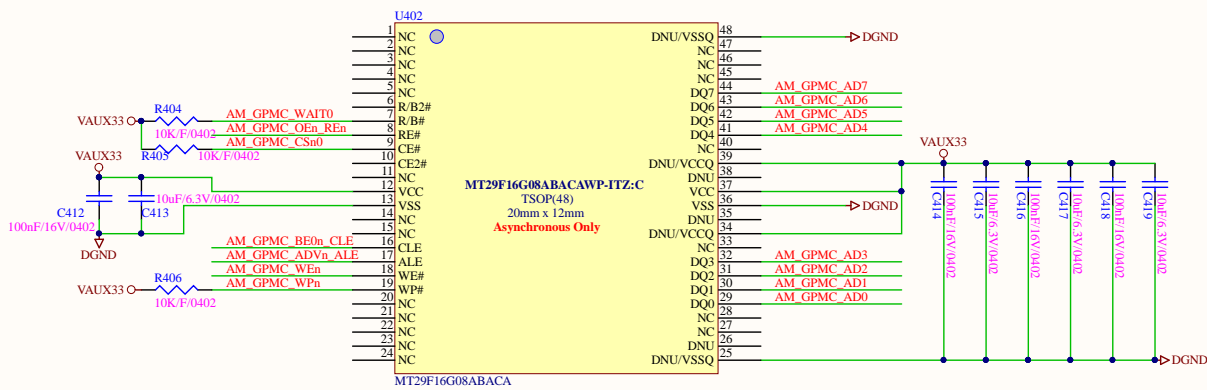
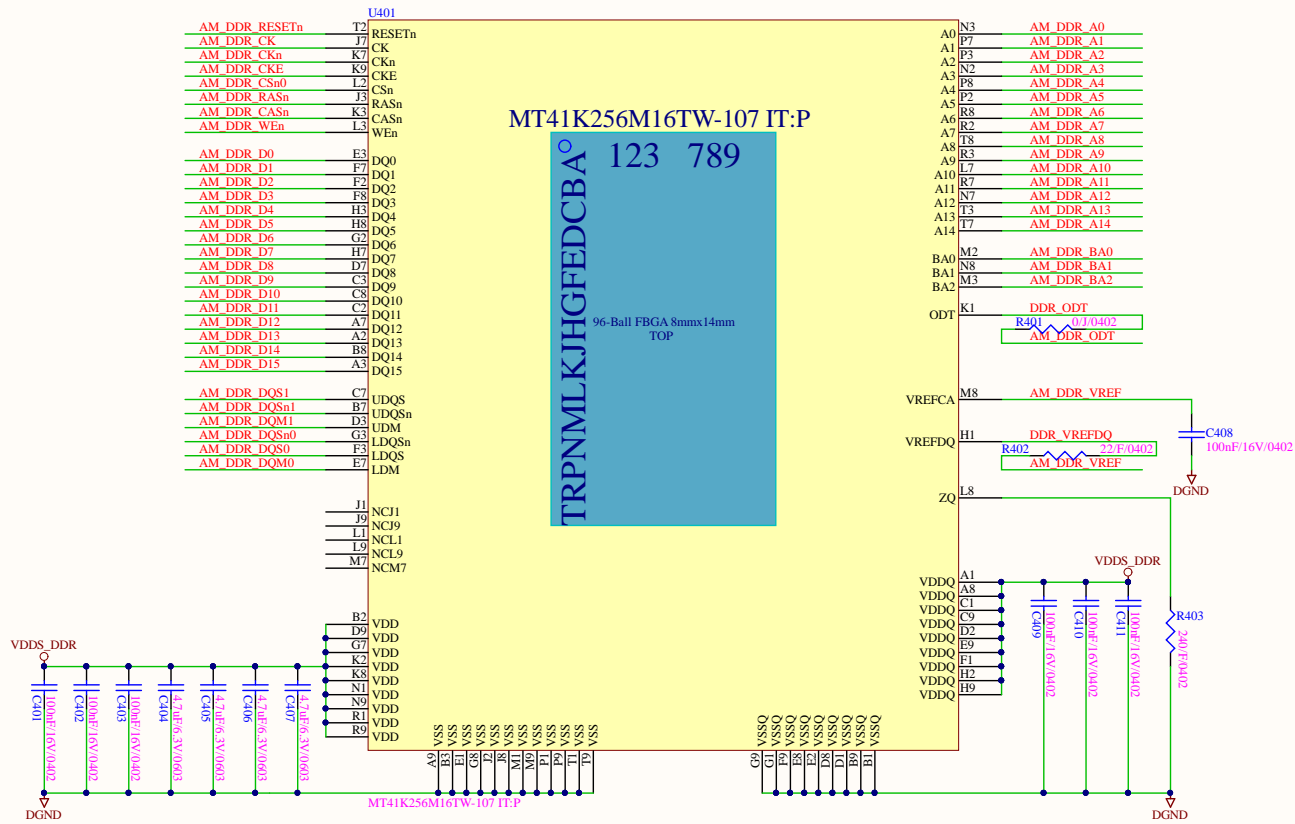
BOOT Configuration



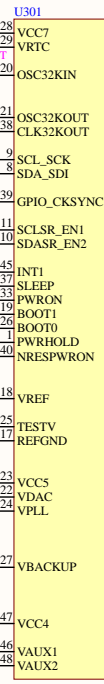
PHIHONG TECHNOLOGY CO., LTD	
ACCSU-01-R_AM3352-2	SCHEMATIC
SIZE A3	DocumentNumber PES-32706-4
DATE: 2020/02/03	REV. 03
SHEET: 7-4	

MPU I/O Power Domain





Power Management IC



TPS65910A31AIRSLR

49 GNDP

DGND

DGND

DGND

DGND

DGND

DGND

DGND

DGND

DGND

DGND

DGND

DGND

DGND

DGND

DGND

DGND

DGND

DGND

DGND

DGND

DGND

DGND

DGND

DGND

DGND

DGND

DGND

DGND

DGND

DGND

DGND

DGND

DGND

DGND

DGND

DGND

DGND

DGND

DGND

DGND

DGND

DGND

DGND

DGND

DGND

DGND

DGND

DGND

DGND

DGND

DGND

DGND

DGND

DGND

DGND

